

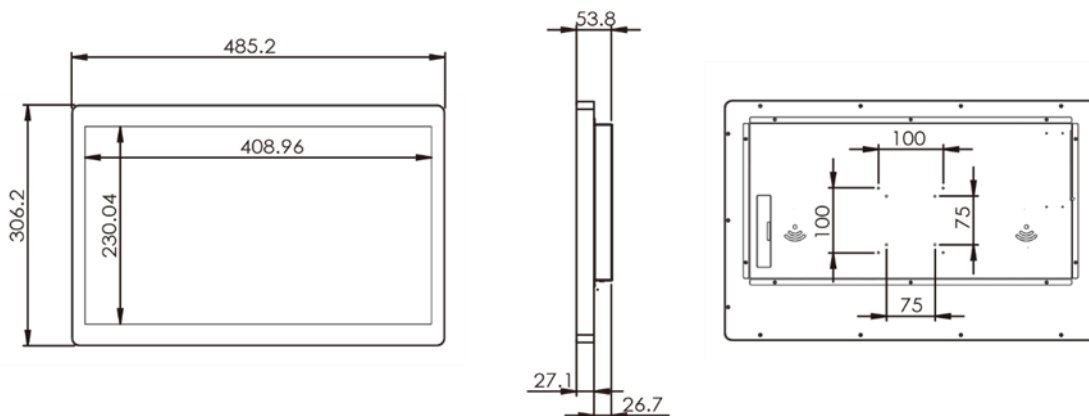
SLM1800-PCT

Industrial 18.5" TFT LCD
Monitor with True Flat Design
with MAX. 10 Point, PCT Touch
Screen



Specification

Model Name:	SLM1800-PCT
Panel Type:	AUO 18.5-inch LCD Panel with LED Backlight
Brightness (cd/m ²):	350 cd/m ²
Touch Screen:	10 Point(MAX.) Projected Capacitive Touch
Resolution:	1920 x 1080
Contrast Ratio:	1000 : 1
Number of Colors:	16.7M Colors
Viewing Angle:	H: 178° / V: 178°
USB Port	USB x 1 (for Touch Screen)
Waterproof Compliance:	IP65 Front Bezel
Signal Connector:	HDMI, DVI, VGA
Power Connector:	2 pin Terminal Block
Power input range:	DC12 ~ 30V Input
Power Consumption:	22W
Dimensions W x H x D:	486 x 306 x 54mm
Mounting:	VESA Mount 75 x 75mm, 100 x 100mm
Operating Temperature:	0°C to +50°C
Storage Temperature:	-20°C to +60°C
Housing Material:	Metal
Weight:	6.5Kgs
Certifications:	CE / RoHS / WEEE Compliant



Specifications subject to change without notice