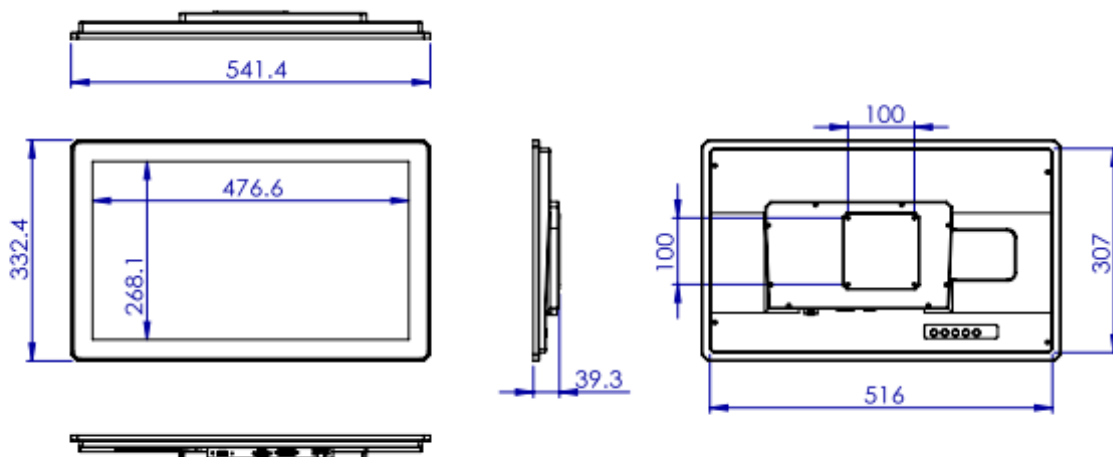


Industrial 21.5" Robust  
HDBaseT Aluminum Display  
with 10 Point Touch (PCT)



### Specification

|                                  |   |
|----------------------------------|---|
| Model Name:                      | SLM22-ALH                                     |
| Panel Type:                      | AUO 21.5" TFT LCD Panel with LED Backlight    |
| Brightness (cd/m <sup>2</sup> ): | 300 cd/m <sup>2</sup>                         |
| Touch Screen:                    | 10 Point True Flat Projected Capacitive Touch |
| Resolution:                      | 1920 x 1080                                   |
| Contrast Ratio:                  | 5000 : 1                                      |
| Response Time:                   | 16 ms   |
| Viewing Angle:                   | H: 178° / V: 178°                             |
| USB Port                         | 1 Touch USB + 2 External USB 2.0              |
| Waterproof Compliance:           | NEMA4 / IP65 Compliant Front Bezel            |
| HDBaseT Connector:               | RJ45 (M12 Optional)                           |
| HDBaseT Transmitter:             | PCIe Card (Boxed Version on Request)          |
| Power Supply:                    | Completely Over HDBaseT                       |
| Power Consumption:               | 24W   |
| Dimensions W x H x D:            | 542 x 333 x 40mm                              |
| Mounting:                        | VESA Mount 100 x 100mm                        |
| Operating Temperature:           | 0°C to +50°C                                  |
| Storage Temperature:             | -20°C to +60°C                                |
| Housing Material:                | White Anodized Aluminum                       |
| Weight:                          | 5.8 Kgs                                       |
| Certifications:                  | CE / RoHS / WEEE Compliant                    |



Specifications subject to change without notice