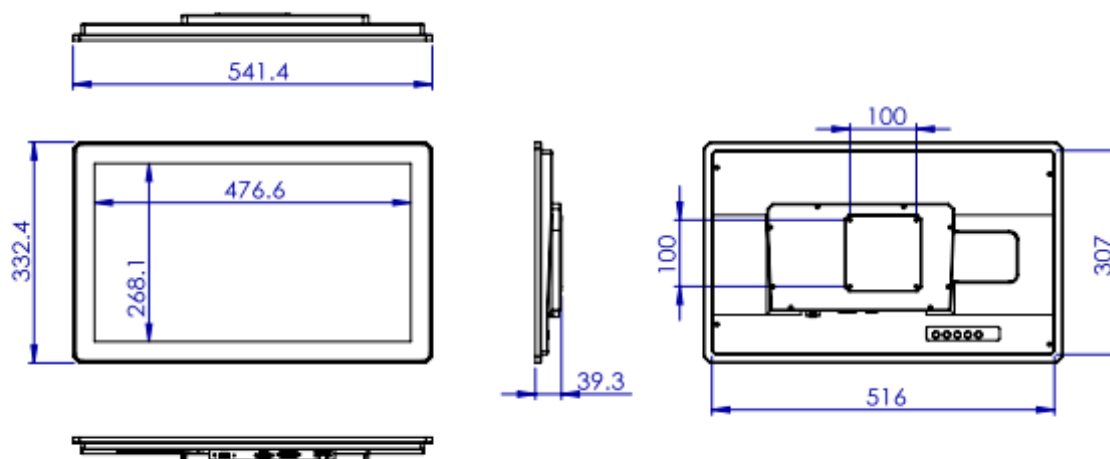




Specification

Model Name:	SLM22-AL
Panel Type:	AUO 21.5" TFT LCD Panel with LED Backlight
Brightness (cd/m ²):	300 cd/m ²
Touch Screen:	10 Point True Flat Projected Capacitive Touch
Resolution:	1920 x 1080
Contrast Ratio:	5000 : 1
Response Time:	16 ms
Viewing Angle:	H: 178° / V: 178°
USB Port	1 Touch USB + 2 External USB 2.0
Waterproof Compliance:	NEMA4 / IP65 Compliant Front Bezel
Signal Connector:	VGA 15 Pin D-Sub / DVI Input
Power Connector:	2 pin Terminal Block
Power input range:	DC15 ~ 30V Input
Power Consumption:	30W
Dimensions W x H x D:	542 x 333 x 40mm
Mounting:	VESA Mount 100 x 100mm
Operating Temperature:	0°C to +50°C
Storage Temperature:	-20°C to +60°C
Housing Material:	White Anodized Aluminum
Weight:	5.8 Kgs
Certifications:	CE / RoHS / WEEE Compliant



Specifications subject to change without notice