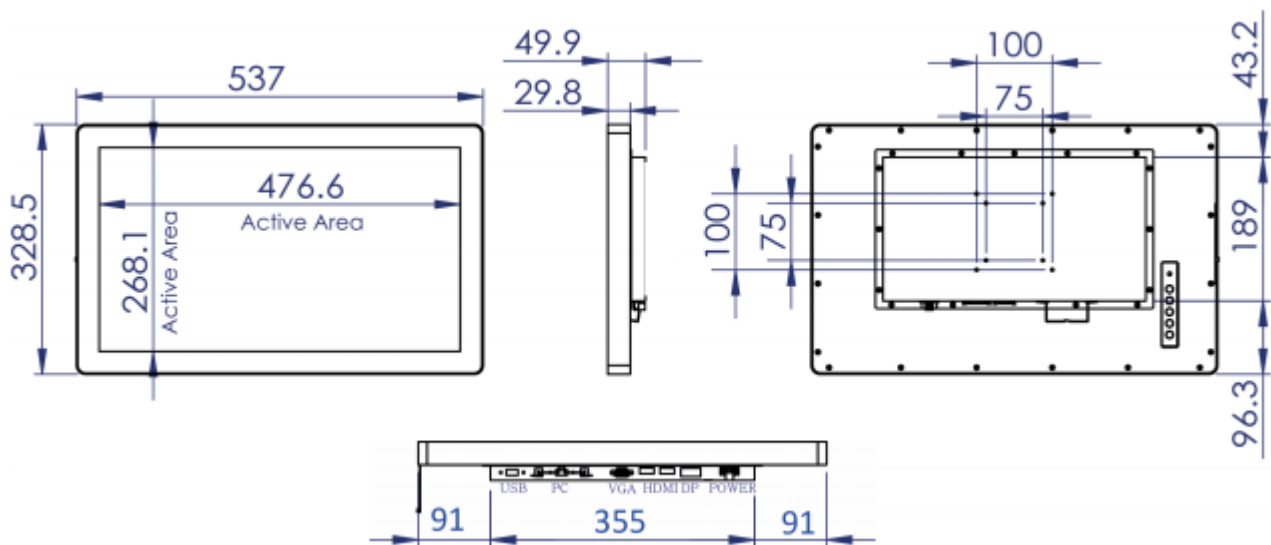


Industrial Robust 21.5"
Industrial Display with Anti-
Glare Multi Touch (PCT)



Specification

Model Name:	SLM22WPCTAG24V-USB
Panel Type:	AUO 21.5-inch LCD Panel with LED Backlight
Brightness (cd/m ²):	250 cd/m ²
Touch Screen:	10 Point True Flat, Anti-Glare Projected Capacitive Touch
Resolution:	1920 x 1080
Contrast Ratio:	1000 : 1 @ 60Hz
Synchronization Range:	H: 31.5 ~ 85 KHz / V: 60 ~ 80 Hz
Viewing Angle:	H: 170° / V: 160°
USB Port:	1 Touch USB + 3 External USB 2.0
Waterproof Compliance:	NEMA4 / IP65 Front Bezel
Signal Connector:	VGA 15 pin D-Sub / HDMI x 2 / DisplayPort
Power Connector:	2 pin Terminal Block
Power input range:	DC15 ~ 30V Input
Power Consumption:	30W
Dimensions W x H x D:	537 x 328.5 x 49.9mm
Mounting:	VESA Mount 75 x 75mm, 100 x 100mm
Operating Temperature:	0°C to +50°C
Storage Temperature:	-20°C to +60°C
Housing Material:	Metallic Silver
Weight:	6.9Kgs
Certifications:	CE / RoHS / WEEE Compliant



Specifications subject to change without notice