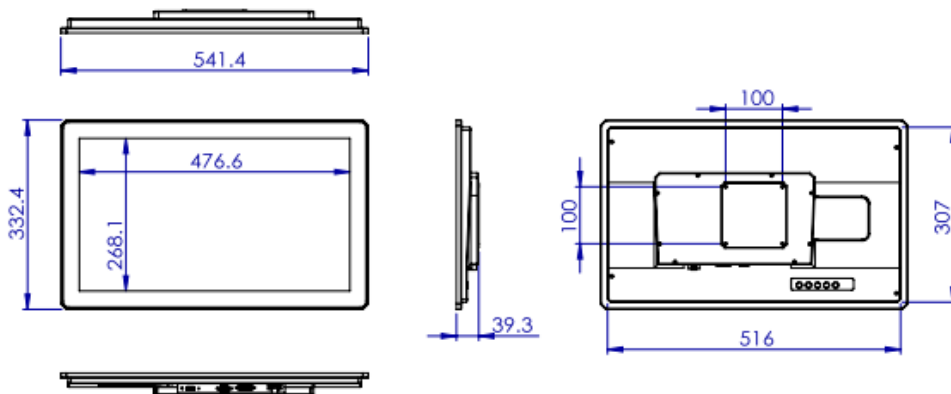


Industrial 21.5" Robust
Aluminum Panel PC with 2
Point Multi Touch (PCT)



Specification

Model Name:	SLP22-EMBC1100
CPU:	Intel Core i5-6300U
RAM:	8GB DDR4 SO-DIMM
Storage:	128GB mSata SSD
USB:	4x USB 3.0
Network:	2x Glan
Video:	1x Display Port, 1x DVI-D
Panel Type:	AUO 21.5" LCD Panel with LED Backlight
Brightness (cd/m ²):	300 cd/m ²
Touch Screen:	2 Point True Flat Projected Capacitive Touch
Resolution:	1920 x 1080
Contrast Ratio:	5000 : 1 @ 60Hz
Response Time:	16 ms
Viewing Angle:	H: 178° / V: 178°
Power Connector:	Lockable Jack
Power Input Range:	15 ~ 36 VDC
Power Consumption:	30W
Dimensions W x H x D:	540 x 331 x 47mm
Mounting:	VESA Mount 100 x 100mm, Panel Mount
Operating Temperature:	0°C to +50°C
Storage Temperature:	-20°C to +60°C
Housing Material:	White Anodized Aluminum
Weight:	6.4 Kgs
Certifications:	CE / RoHS / WEEE Compliant



Specifications subject to change without notice